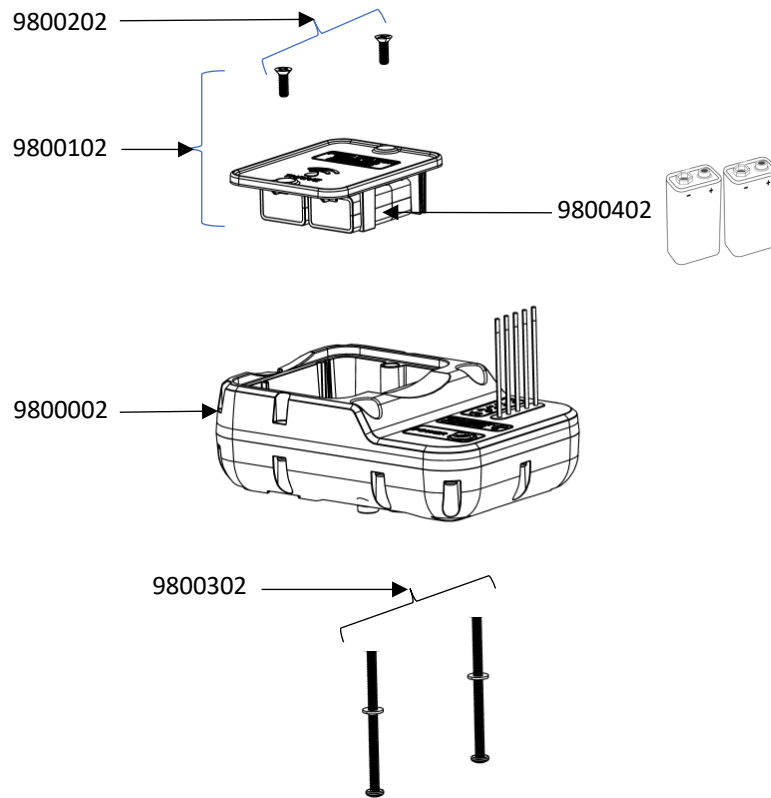




Receiver™ Parts Breakout Diagram



No.	Part No.	Description
1	9800202	2 (qty) Battery Cassette Fasteners
2	9800102	Battery Cassette Subassembly (fasteners included)
3	9800002	Thrive Receiver™
4	9800302	Receiver™ Fasteners w/ Washers (2 (qty))
5	9800402	2 (qty) 9-volt Lithium Batteries

Thrive Smart Systems Inc.
 American Fork, UT
 801•413•3023
www.thrivesmartsystems.com